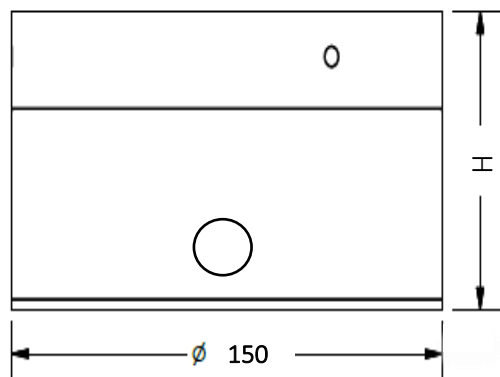


## Floorbox typ ZGP-15

### Basic dimensions:



### Description:

The ZGP-15 floor box consists of a two-piece body with a cover equipped with a bayonet-spring locking mechanism ensuring tight closure of the box after turning the cover by about 10°. The dimensions of the floorbox have been selected so that it can be mounted in a hole made with a diamond drill with a diameter of 150mm. The floorbox can only be opened with the use of a special ZGP-K key. In the lower body, from the side, there are 3 cable entries Ø25 mm for inserting wires or installation pipes. To facilitate the assembly and leveling of the floorbox, there are adjusting screws at the bottom of the box.

#### Set contains:

- top cover with a gasket and a K-ZGP key lock,
- upper body,
- mounting plate with accessories according to the table below,
- lower body with 3 cable entries Ø25 mm,
- bottom cover and adjustment screws

When ordering, one ZGP-K key is included for every 5 floor boxes.

**Application:** for floors with any surface finish, e.g. porcelain stoneware, natural stone, concrete, carpeting and others, in places with high humidity / dustiness, exposed to loads of even very high values up to 25 tons. The surface of the cover finished with anodized aluminum alloy makes the floorboxes highly aesthetic and resistant to chemicals, so they can be installed in representative places with high traffic. High tightness of the set is achieved only after the can is completely closed with the key.

### Technical data:

Weight:	2.3 kg
Dimensions:	Ø150x100, 140, 150 mm
Material:	Aluminum PA4, upper part with anodized cover
Degree of protection:	IP67 [ PN-EN 50085-1: 2010, PN-EN 60529: 2003]
Impact resistance:	IK10 [ PN-EN 50085-1: 2010 points 5.8, 10.3.2, PN-EN 62262: 2003]
Pressing force:	<250kN [ PN-EN 50085-2-2: 2009 item 10.5.104]

Possible equipment :



22E



23E



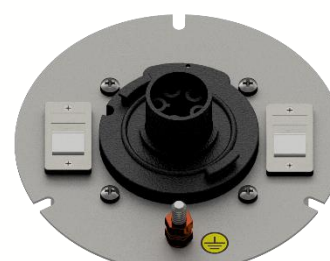
41E



51E



61E



63E

Order number depending on height and equipment:

Floorboxes typ ZGP-15				
height equipment	height			Description of equipment
	H=100mm	H=140mm	H=150mm	
22E	ZGP-1510-22E	ZGP-1514-22E	ZGP-1515-22E	2x socket 1 phase 1x16A+N+PE, PA
23E	ZGP-1510-23E	ZGP-1514-23E	ZGP-1515-23E	1x socket 1 phase 1x16A+N+PE, 2x adapter RJ45, PA
24E	ZGP-1510-24E	ZGP-1514-24E	ZGP-1515-24E	2x socket 1 phase 1x16A+N+PE, 1x adapter RJ45, PA
41E	ZGP-1510-41E	ZGP-1514-41E	ZGP-1515-41E	1x socket 3 phases 16A+N+PE 400V, PA
42E		ZGP-1514-42E	ZGP-1515-42E	1x socket 3 phases 16A+N+PE 400V, 2x adapter RJ45, PA
51E		ZGP-1514-51E	ZGP-1515-51E	1x socket 3 phases 32A+N+PE 400V oblique, PA
52E			ZGP-1515-52E	1x socket 3 phases 32A+N+PE 400V straight, PA
61E		ZGP-1514-61	ZGP-1515-61	1x socket 3 phases 50A+N+PE, PA to an external adapter
62E		ZGP-1514-62	ZGP-1515-62	1x socket 3 phases 50A+N+PE, to an external adapter., 2x adapter RJ45 , PA

## Additional accessories:

### ZGP-15-PP raising ring

it is used to protect the inside of the floorbox (when connected receivers) against contamination, e.g. dirt or water with cleaning floor machines. The ring is mounted on the floorbox using lid locking mechanism. The cover, on the other hand, is mounted on the the ring in the same way as in a floorbox. Derivation cables to the receivers is then carried out via a special for this purpose, a prepared hole in the ring.



### ZGP-15-AZ external adapter

is a set of sockets mounted on a cylinder-shaped tube with a diameter floorboxes. The set consists of two single-phase 230V sockets with a cover and one 3-phase socket 16A 400V. The adapter is connected to the floorbox with a plug to the socket 3-phase 50A mounted in a floorbox. The adapter housing has cable entry hole for connecting to RJ45 sockets. The locking mechanism is the same as in the floorbox, which enables the installation of the floorbox cover on the adapter, which protects it against dirt or unauthorized access.

